

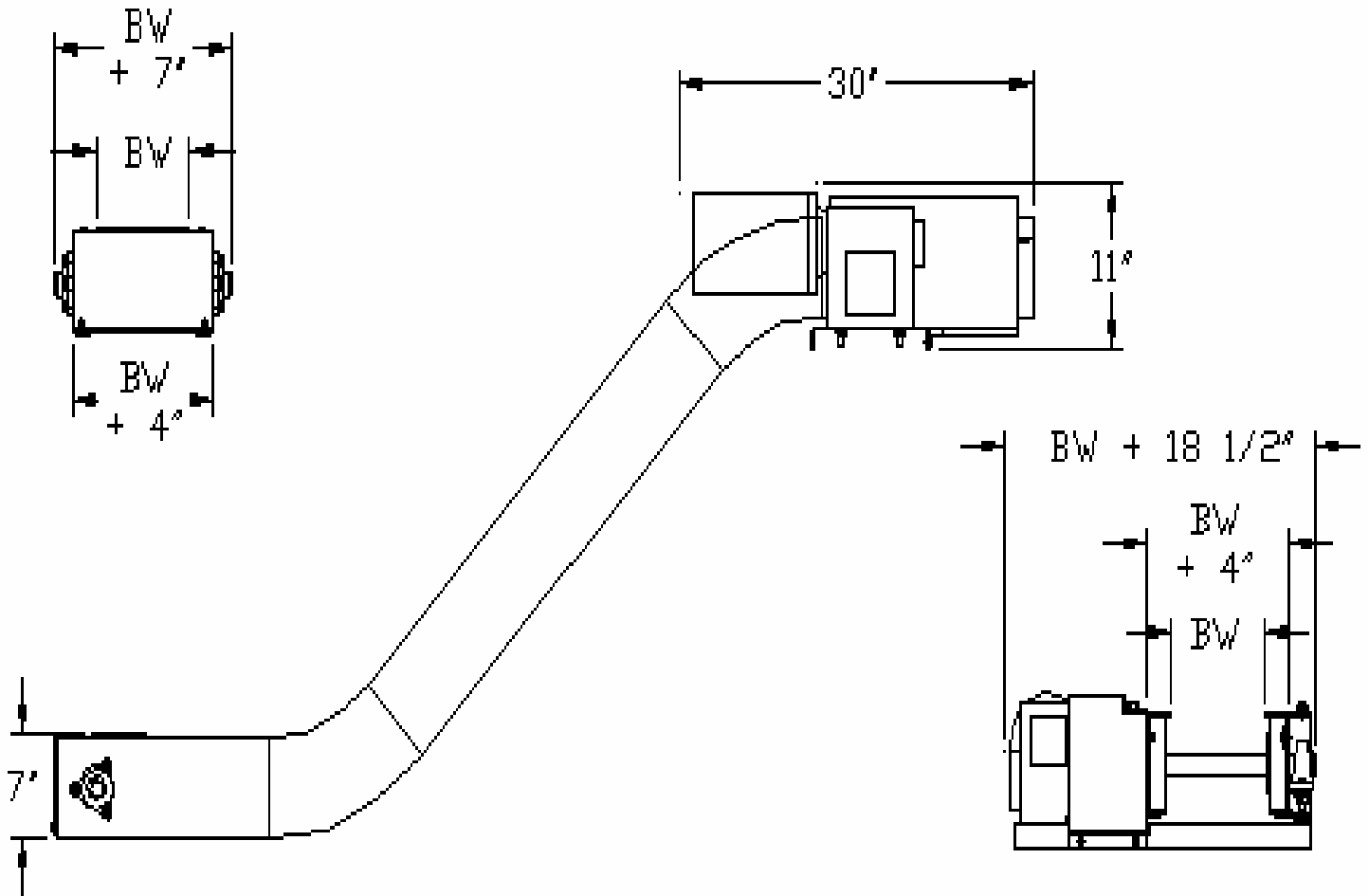
MODELS 722 & 726

SIDE MOUNT DRIVE

LIGHT DUTY 2 1/2" PITCH HINGED STEEL BELT CONVEYOR

(M726 is a liquid tight M722)

This unit has a shallow frame of 6 5/8" which allows it to fit into tighter spaces other 2 1/2" pitch units can't. Its smaller overall construction and the corresponding tighter tolerances makes this the ideal choice when conveying small and more finite scrap.



SIDE MOUNT DRIVE

SIDE MOUNT DRIVE

1700 Division Street, New London, WI 54961

Phone: (800) 437-1994

Fax: (920) 982-6800

www.nleco.com